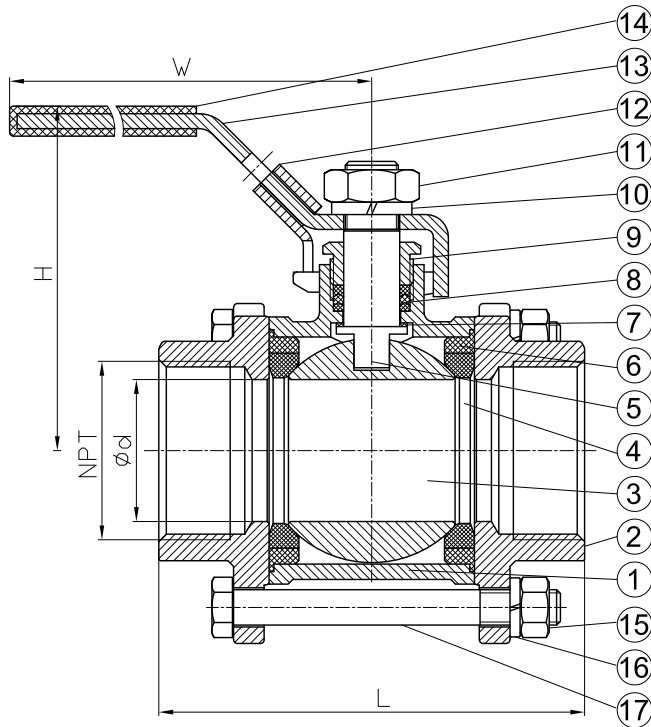


FULL PORT THREE-PIECE BALL VALVE SCREWED END 1000W.O.G./PN63

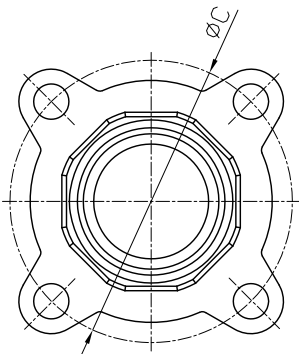


FEATURES:

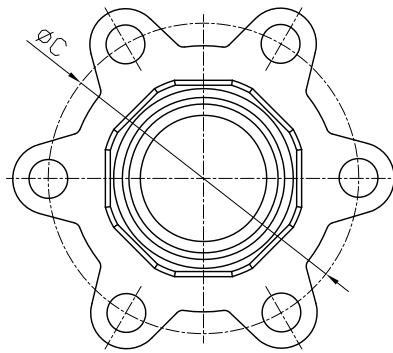
- PIPE THREAD IN ACCORDANCE: NPT
- BLOW-OUT PROOF STEM / FULL PORT
- INVESTMENT CASTING BODY
- 1000PSI(PN63)W.O.G.
- LOCKING DEVICE

MATERIALS LIST:

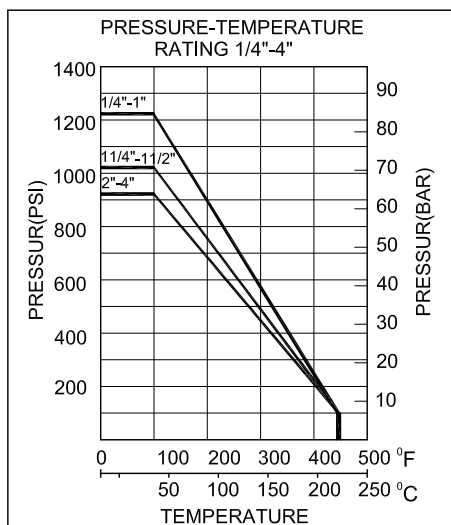
NO.	PART NAME	MATERIAL
1	BODY	duplex 2205
2	CAP	duplex 2205
3	BALL	duplex 2205
4	SEAT	RPTFE
5	STEM	duplex 2205
6	GASKET	RPTFE
7	THRUST WASHER	RPTFE
8	PACKING	RPTFE
9	GLAND	SUS304
10	SPRING WASHER	SUS304
11	STEM NUT	SUS304
12	LOCKING DEVICE	SUS304
13	HANDLE	SUS304
14	PLASTIC COVER	PLASTIC
15	HEX NUT	SUS304
16	BOLT WASHER	SUS304
17	JOINT BOLT	SUS304



1/4"-21/2"



3"-4"



DIMENSIONS:

SIZE		d	L	H	W	C	Cv FACTOR
DN	NPS						
15	1/2"	15	63	65	123	47.0	10
20	3/4"	20	73	67	123	53.5	25
25	1"	25	85	79	153	59.6	35
32	1 1/4"	32	96	84	153	74.2	46
40	1 1/2"	38	114	92	183	84.0	80
50	2"	50	134	99	183	101	110
65	2 1/2"	65	180	136	246	132	310
80	3"	80	200	146	246	161.5	360